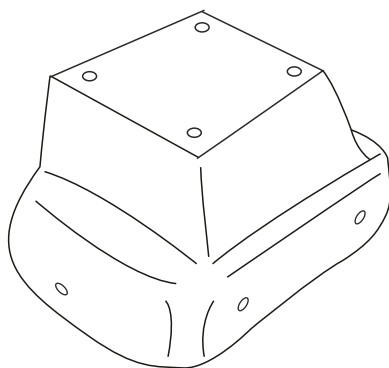
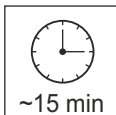




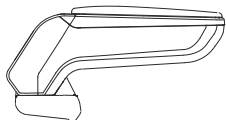
SUZUKI SWIFT 2005-2011



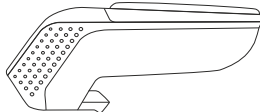
A

B

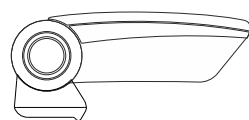
C



armster **S**



armster **2**



armster **3**

V01664

5x

1x



St 4,8x16



00158

